

HIGH EAVE (PARAPET)

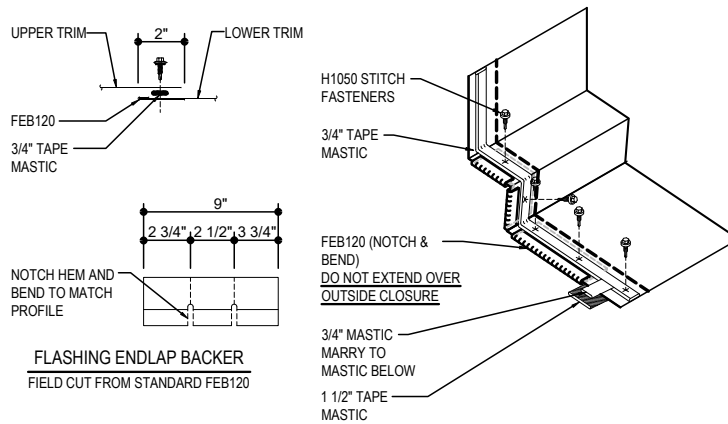
- EI6010 - WALL PANEL ABOVE
 - EI6030 - MASONRY WALL
 - EI6050 - WALL PANEL ABOVE & BELOW
 - EI6070 - NON-STRUCTURAL PARAPET
 - EI6610 - IMP WALL PANEL ABOVE
 - EI6650 - IMP WALL PANEL ABOVE & BELOW
 - EI6670 - NON-STRUCTURAL PARAPET - IMP
-

EI6010 - WALL PANEL ABOVE

[Download the DWG file by clicking here.](#)

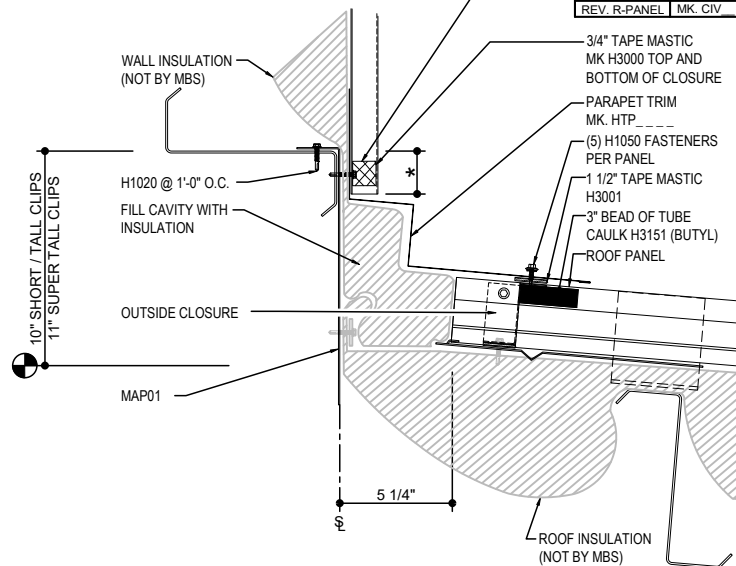
HIGH EAVE LAP & FLASHING BACKER

SLIDE FIELD CUT SECTION FLASHING ENDLAP BACKER ONTO THE LOWER TRIM PIECE. PLACE TAPE MASTIC NEXT TO HEM OF THE BACKER (NOT ON TOP OF HEM). APPLY CONTINUOUS BEAD OF CAULK 1" FROM END OF TRIM DOWN PROFILE OF TRIM. FASTEN LAP WITH STITCH FASTENERS AND POP RIVETS AS SHOWN.



*	2" @ TALL / SUPER TALL CLIPS
	3" @ SHORT CLIPS

WALL PANEL CLOSURE	
R-PANEL	MK. CIR
A-PANEL	MK. CIA
REV. R-PANEL	MK. CIV



ERECTOR NOTE:

INSULATION TIE-OFF SHOWN IS ONE METHOD. MAY REQUIRE DIFFERENT METHOD BASED ON SEQUENCE. H1020 FASTENERS (PURLINS) & H1070 FASTENERS (JOISTS) WITH H2200 INSULATION WASHERS HAVE BEEN SUPPLIED 12" O.C. FOR INSULATION ATTACHMENT

HIGH EAVE PARAPET DETAIL

HIGH EAVE PARAPET DETAIL w/ WALL PANEL ABOVE
SEE WALL SHEETING ERECTION NOTES FOR WALL PANEL FASTENER LOCATIONS

EI6010

Detailer Notes:

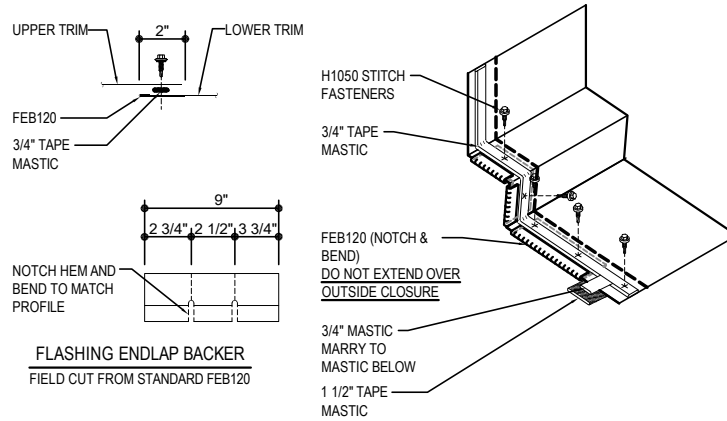
- 1) N/A

EI6030 - MASONRY WALL

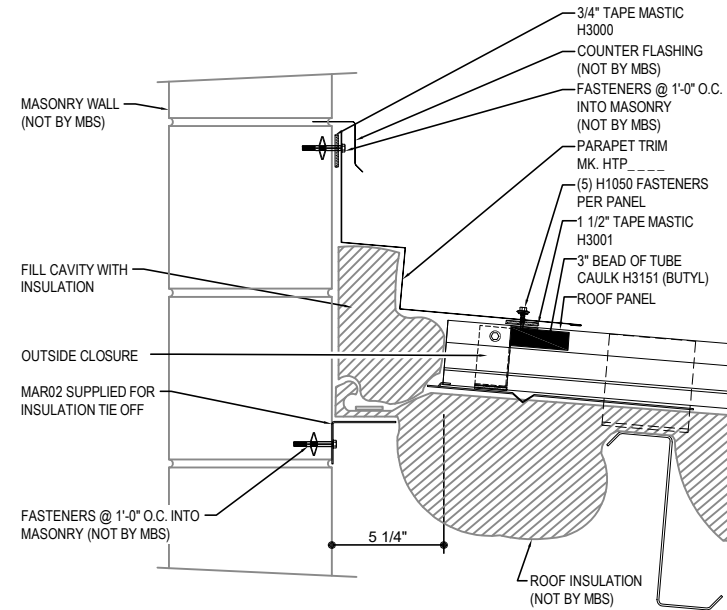
[Download the DWG file by clicking here.](#)

HIGH EAVE LAP & FLASHING BACKER

SLIDE FIELD CUT SECTION FLASHING ENDLAP BACKER ONTO THE LOWER TRIM PIECE. PLACE TAPE MASTIC NEXT TO HEM OF THE BACKER (NOT ON TOP OF HEM). APPLY CONTINUOUS BEAD OF CAULK 1" FROM END OF TRIM DOWN PROFILE OF TRIM. FASTEN LAP WITH STITCH FASTENERS AND POP RIVETS AS SHOWN.



FLASHING ENDLAP BACKER
FIELD CUT FROM STANDARD FEB120



ERECTOR NOTE:
INSULATION TIE-OFF SHOWN IS ONE METHOD. MAY REQUIRE DIFFERENT METHOD BASED ON SEQUENCE H1020 FASTENERS (PURLINS) & H1070 FASTENERS (JOISTS) WITH H2200 INSULATION WASHERS HAVE BEEN SUPPLIED 12" O.C. FOR INSULATION ATTACHMENT

HIGH EAVE PARAPET DETAIL

HIGH EAVE PARAPET DETAIL w/ MASONRY WALL

EI6030

Detailer Notes:

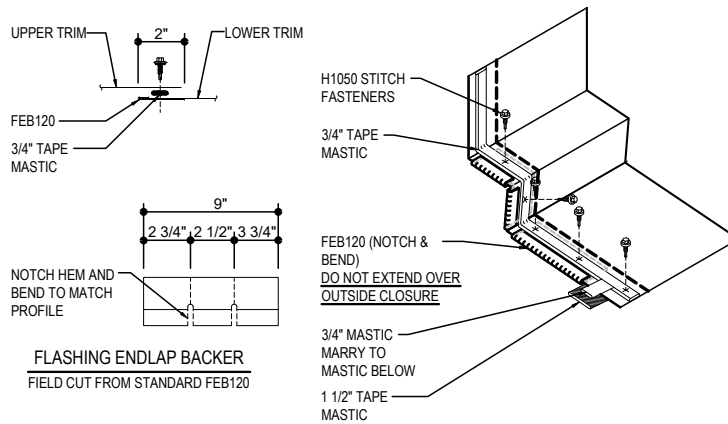
- 1) N/A

EI6050 - WALL PANEL ABOVE & BELOW

[Download the DWG file by clicking here.](#)

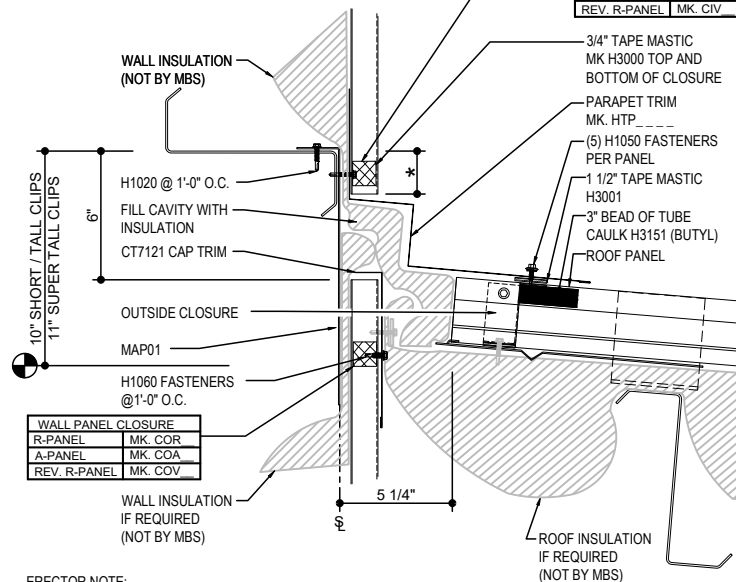
HIGH EAVE LAP & FLASHING BACKER

SLIDE FIELD CUT SECTION FLASHING ENDLAP BACKER ONTO THE LOWER TRIM PIECE. PLACE TAPE MASTIC NEXT TO HEM OF THE BACKER (NOT ON TOP OF HEM). APPLY CONTINUOUS BEAD OF CAULK 1" FROM END OF TRIM DOWN PROFILE OF TRIM. FASTEN LAP WITH STITCH FASTENERS AND POP RIVETS AS SHOWN.



* 2" @ TALL / SUPER TALL CLIPS
3" @ SHORT CLIPS

WALL PANEL CLOSURE	
R-PANEL	MK. CIR
A-PANEL	MK. CIA
REV. R-PANEL	MK. CIV



ERECTOR NOTE:

INSULATION TIE-OFF SHOWN IS ONE METHOD. MAY REQUIRE DIFFERENT METHOD BASED ON SEQUENCE. H1020 FASTENERS (PURLINS) & H1070 FASTENERS (JOISTS) WITH H2200 INSULATION WASHERS HAVE BEEN SUPPLIED 12" O.C. FOR INSULATION ATTACHMENT

HIGH EAVE PARAPET DETAIL

HIGH EAVE PARAPET DETAIL w/ WALL PANEL ABOVE AND BELOW
SEE WALL SHEETING ERECTION NOTES FOR WALL PANEL FASTENER LOCATIONS

EI6050

Detailer Notes:

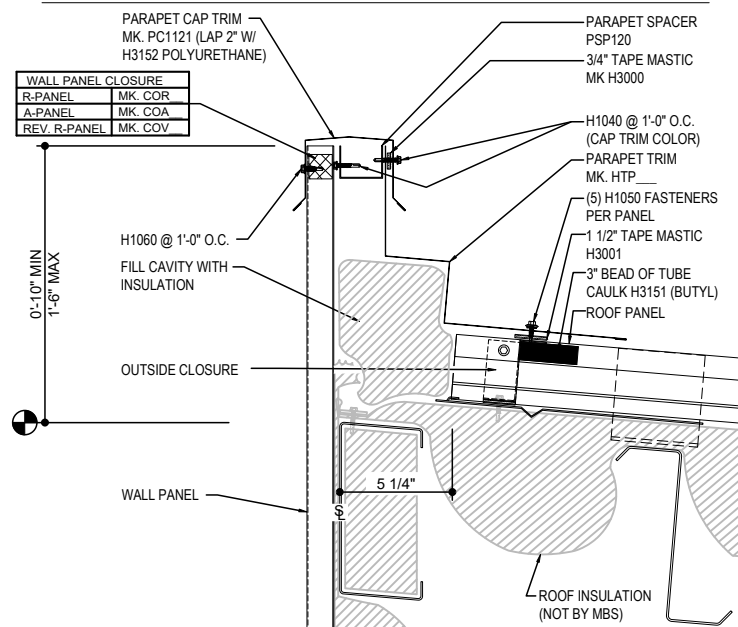
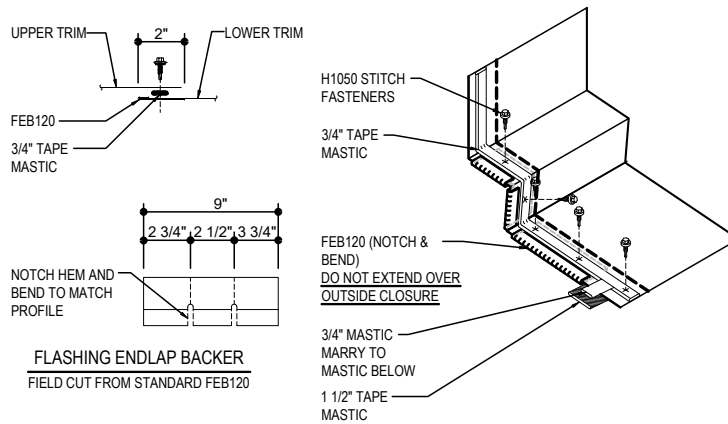
- 1) OUTSIDE PANEL CLOSURES ARE OPTIONAL, TURN OFF OUTSIDE CLOSURE LAYER IF NOT REQUIRED.

EI6070 - NON-STRUCTURAL PARAPET

[Download the DWG file by clicking here.](#)

HIGH EAVE LAP & FLASHING BACKER

SLIDE FIELD CUT SECTION FLASHING ENDLAP BACKER ONTO THE LOWER TRIM PIECE. PLACE TAPE MASTIC NEXT TO HEM OF THE BACKER (NOT ON TOP OF HEM). APPLY CONTINUOUS BEAD OF CAULK 1" FROM END OF TRIM DOWN PROFILE OF TRIM. FASTEN LAP WITH STITCH FASTENERS AND POP RIVETS AS SHOWN.



ERECTOR NOTE:

INSULATION TIE-OFF SHOWN IS ONE METHOD. MAY REQUIRE DIFFERENT METHOD BASED ON SEQUENCE. H1020 FASTENERS (PURLINS) & H1070 FASTENERS (JOISTS) WITH H2200 INSULATION WASHERS HAVE BEEN SUPPLIED 12" O.C. FOR INSULATION ATTACHMENT

HIGH EAVE NON-STRUCTURAL PARAPET

HIGH EAVE NON-STRUCTURAL PARAPET DETAIL w/ WALL PANEL
SEE WALL SHEETING ERECTION NOTES FOR WALL PANEL FASTENER LOCATIONS

EI6070

Detailer Notes:

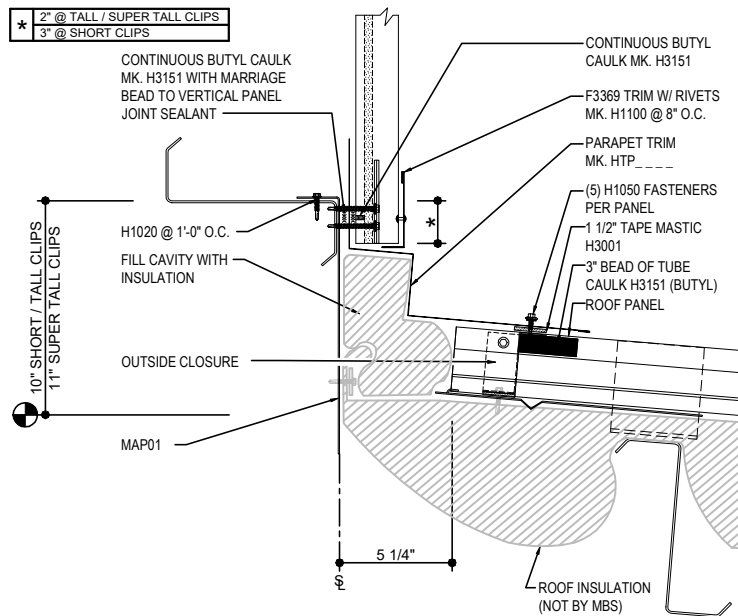
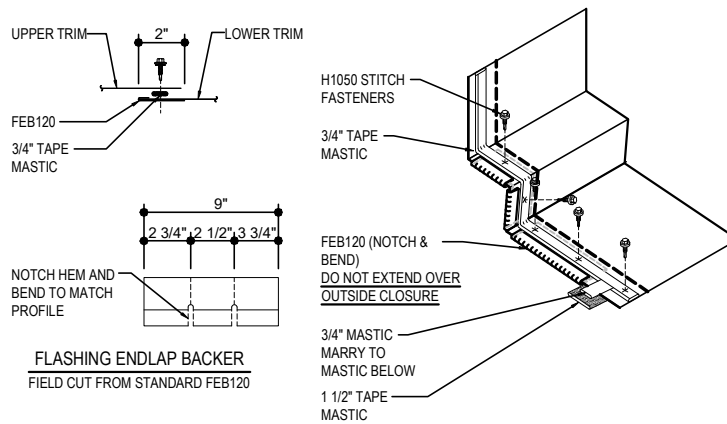
- 1) OUTSIDE PANEL CLOSURES ARE OPTIONAL, TURN OFF OUTSIDE CLOSURE LAYER IF NOT REQUIRED.

EI6610 - IMP WALL PANEL ABOVE

[Download the DWG file by clicking here.](#)

HIGH EAVE LAP & FLASHING BACKER

SLIDE FIELD CUT SECTION FLASHING ENDLAP BACKER ONTO THE LOWER TRIM PIECE. PLACE TAPE MASTIC NEXT TO HEM OF THE BACKER (NOT ON TOP OF HEM). APPLY CONTINUOUS BEAD OF CAULK 1" FROM END OF TRIM DOWN PROFILE OF TRIM. FASTEN LAP WITH STITCH FASTENERS AND POP RIVETS AS SHOWN.



ERECTOR NOTE:
INSULATION TIE-OFF SHOWN IS ONE METHOD. MAY REQUIRE DIFFERENT METHOD BASED ON SEQUENCE H1020 FASTENERS (PURLINS) & H1070 FASTENERS (JOISTS) WITH H2200 INSULATION WASHERS HAVE BEEN SUPPLIED 12" O.C. FOR INSULATION ATTACHMENT

HIGH EAVE PARAPET DETAIL

HIGH EAVE PARAPET DETAIL w/ WALL PANEL ABOVE
SEE WALL SHEETING ERECTION NOTES FOR WALL PANEL FASTENER LOCATIONS

EI6610

Detailer Notes:

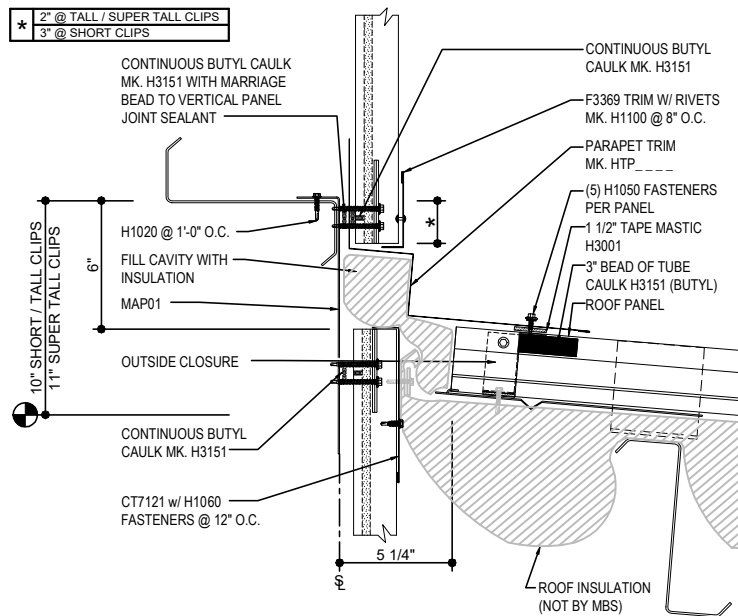
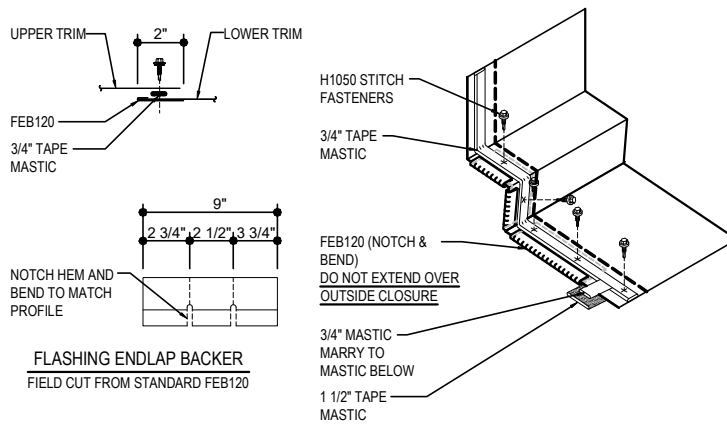
- 1) N/A

EI6650 - IMP WALL PANEL ABOVE & BELOW

[Download the DWG file by clicking here.](#)

HIGH EAVE LAP & FLASHING BACKER

SLIDE FIELD CUT SECTION FLASHING ENDLAP BACKER ONTO THE LOWER TRIM PIECE. PLACE TAPE MASTIC NEXT TO HEM OF THE BACKER (NOT ON TOP OF HEM). APPLY CONTINUOUS BEAD OF CAULK 1" FROM END OF TRIM DOWN PROFILE OF TRIM. FASTEN LAP WITH STITCH FASTENERS AND POP RIVETS AS SHOWN.



ERECTOR NOTE:
INSULATION TIE-OFF SHOWN IS ONE METHOD. MAY REQUIRE DIFFERENT METHOD BASED ON SEQUENCE H1020 FASTENERS (PURLINS) & H1070 FASTENERS (JOISTS) WITH H2200 INSULATION WASHERS HAVE BEEN SUPPLIED 12" O.C. FOR INSULATION ATTACHMENT

HIGH EAVE PARAPET DETAIL

HIGH EAVE PARAPET DETAIL w/ WALL PANEL ABOVE AND BELOW
SEE WALL SHEETING ERECTION NOTES FOR WALL PANEL FASTENER LOCATIONS

EI6650

Detailer Notes:

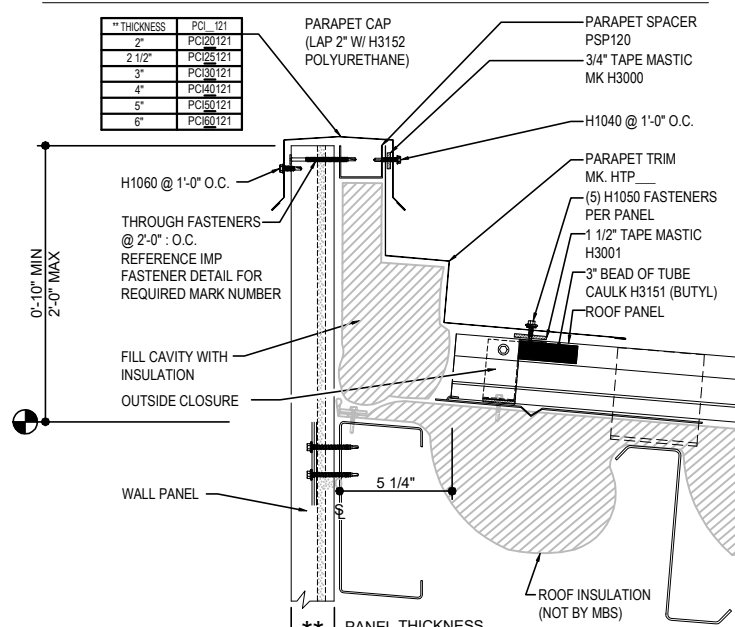
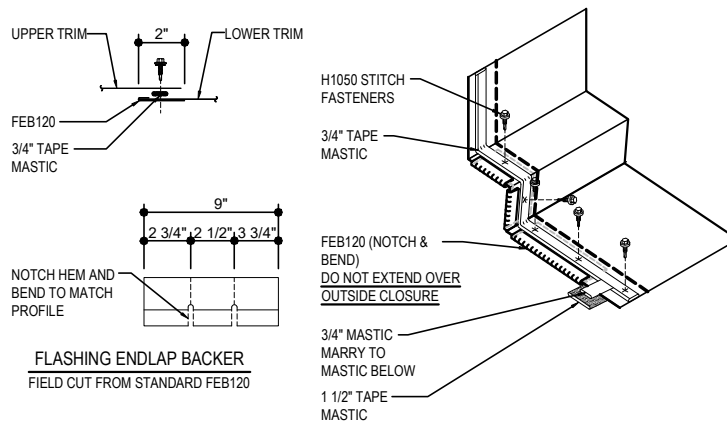
- 1) N/A

EI6670 - NON-STRUCTURAL PARAPET - IMP

[Download the DWG file by clicking here.](#)

HIGH EAVE LAP & FLASHING BACKER

SLIDE FIELD CUT SECTION FLASHING ENDLAP BACKER ONTO THE LOWER TRIM PIECE. PLACE TAPE MASTIC NEXT TO HEM OF THE BACKER (NOT ON TOP OF HEM). APPLY CONTINUOUS BEAD OF CAULK 1" FROM END OF TRIM DOWN PROFILE OF TRIM. FASTEN LAP WITH STITCH FASTENERS AND POP RIVETS AS SHOWN.



HIGH EAVE NON-STRUCTURAL PARAPET

HIGH EAVE NON-STRUCTURAL PARAPET DETAIL w/ WALL PANEL
SEE WALL SHEETING ERECTION NOTES FOR WALL PANEL FASTENER LOCATIONS

EI6670

Detailer Notes:

- 1) N/A